



# QuietTorque™ 15.0LC

Clean, Green, and Quiet!

*Electric propulsion systems engineered  
and built by sailors for sailors since 2007!*

The **QuietTorque™ 15.0LC** is recommended for boats up to 38' (LOA) and 18,000lbs displacement. Typically replaces gas or diesel engines in the 18hp – 30hp range. Typical battery size is 300Ah.

## Specifications

Motor type	PMAC* (liquid cooled)
Voltage	48Vdc nom (40-65Vdc)
Max. Input Power	15.0 kW (20 min)
Cont. Input Power	14.0 kW
Weight	125 lbs (57 kg)
Frame	Anodized Aluminum
Shaft	Stainless Steel

\*Permanent Magnet Alternating Current

## Standard Features

Motor Mounts:	Adjustable Mounts use current engine stringers
Throttle:	Stainless steel waterproof throttle with key switch
System Monitor:	Programmable digital display <ul style="list-style-type: none"><li>• State of Charge (SOC)</li><li>• Voltage, Current and Power</li><li>• Time to Discharge (TTD)</li><li>• Programmable for flooded, AGM and Li-ion battery type and size</li></ul>
Shaft coupler:	4" Hurth/Borg Warner flange
Power Switch:	Blue Sea battery switch
Relay:	500A TE Connectivity vacuum relay
Fuse:	300A Class-T fuse & holder

The **QuietTorque™ 15.0LC** is very complete and includes everything needed except batteries, battery cables and charger. Contact us and we will help you design a complete system to meet your particular needs.

## Why Electric Yacht

- UNPARALLED CUSTOMER SERVICE AND ENGINEERING
- Computer generated performance projections
- Three year warranty
- Designed for customer installation



## Application Guide:

### Where is the QuietTorque™ 15.0LC most appropriate?

- Monohull sailboats up to 18,000 lbs replacing diesel engines up to 30hp
- Multihull sailboats replacing gas/diesel engines up to 30hp
- Launches and other displacement mode power boats up to 12,000 lbs
- Installations often use portable generator to extend range
- Sailboats for weekend sailing and occasional coastal cruising trips

## Ordering Options:



**Standard throttle and monitor control (+\$0 USD)** is appropriate in most cases. The exposed metal parts are made of Stainless steel and Al for long life in a marine environment. The unit incorporates a neutral lock to prevent accidental operation. Designed to provide many years of dependable operation.



**The optional larger monitor (+\$250 USD)** is an easy to read programable monitor screen that is twice the size as the standard monitor. It has an expanded second screen with motor data presented in a clear and easy to read format.

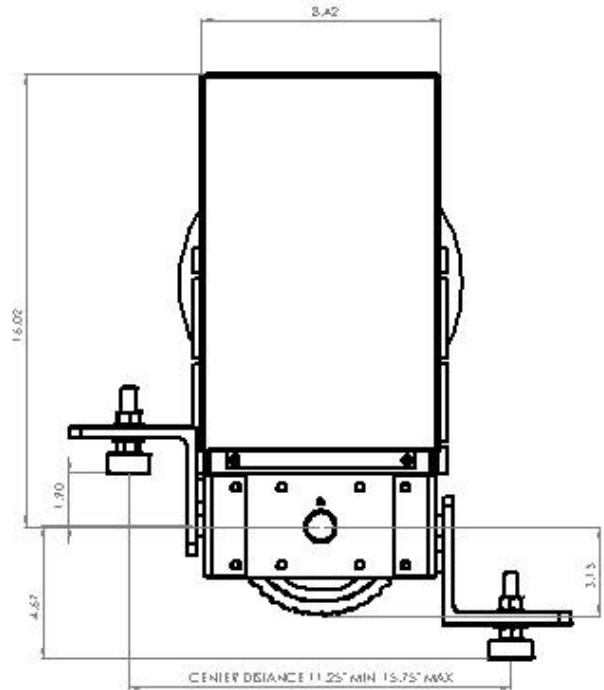
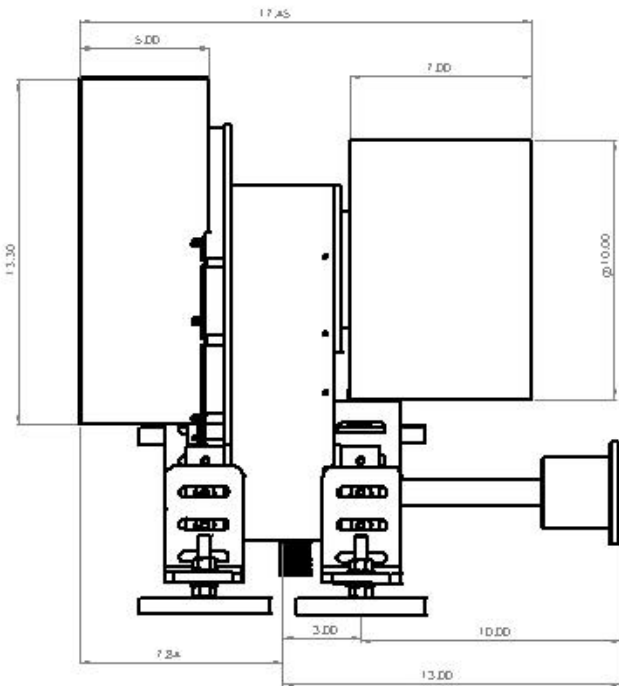


**The optional Binnacle Mount (+\$295 USD)** is appropriate for boats with wheel steering. It is designed to attach to the 1" grab rail that surrounds most binnacles. It can also attach directly to a binnacle post if no rail is present. It is supplied with longer 20' cables and is ready to install on your binnacle.



**The optional Current Sensor (+\$195 USD)** is recommended when a generator and/or solar is used to extend range. The current sensor measures charging current and will give correct State of Charge (SOC) and Time to Discharge (TTD) readings by capturing the power being generated. It is installed between the output of the generator (or generator powered battery charger) and the battery. While not necessary for occasional usage, it is recommended for use with portable generators.

## QuietTorque 15.0



NOTE: ADJUSTABLE MOUNTING FEET CAN ACCOMMODATE SHAFT CENTERLINE ABOVE OR BELOW MOUNTING SURFACE

